

E X - J U N C T I O N B O X

Plastic version for Zone 1, 2, 21 and 22

The robust junction boxes made of plastic and light alloy are featured by their simple mounting and installation capability and their design. They are fitted with pillar terminals for cable of up to 6 mm². The practical orientated housing form allows for problem-free access to the connection terminals for installation.

With the CEAG mounting system, the plastic junction boxes can be economically used for mounting on walls, trellis and pipes. With wire and cable entries in the sizes M25 or M32 for Ø 8 – 17 mm or Ø 12 – 21 mm respectively, all requirements for the modern day installation technology are fulfilled. For cable with armouring, there are junction boxes available with internal metal clamps or light alloy versions allowing for screw joints. For the wire and cable entries that are not used, there are certified blanking plugs supplied with the junction box. To enable a high chemical resistance of the light alloy junction boxes, these have been given an impact resistant plastic powder coating.

The cover screws and all other external metal parts are made of stainless steel (AISI 316L).

International approvals

- Decisive cost reduction with the CEAG mounting system
- Free accessible connection terminals
- Safety standard IP66
- Version for metal entries available





2

Technical data

GHG 791 01 up to 6 terminals / GHG 791 02 up to 8 terminals

Marking accd. to 94/9/EC	⊕ II 2 G Ex dem ia II, IIC T6 / ⊕ II 2 D Ex tD A21 IP66 T80 °C
EC-Type Examination Certificate	PTB 00 ATEX 3108
IECEX Certificate of Conformity	IECEX BK1 07.0034
Marking accd. to IECEx	Ex e II T6 / Ex ia IIC T6 Ex tD A21 IP66 T58 °C
Permissible ambient temperature	-20 °C to +40 °C / -55 °C to +40 °C (option)
Rated voltage	690 V / 550 V ¹⁾
Rated current	depends on terminal cross section
Terminal cross section	max. 3 x 4 mm ² or 1 x 10 mm ² with pin cable lug + 1 x 2.5 mm ² fine wire max. 3 x 6 mm ² or 4 x 4 mm ² solid-wire
Protection class	I
Degree of protection accd. to EN 60529	IP66
Enclosure material	Polyamide

GHG 791 01 up to 6 terminals

Cable entry/enclosure drilling	max. 4 x M25 for cable Ø 10 - 17 mm max. 4 x M20 metal thread
Connecting terminals	4 x + 1 PE
Dimensions (L x W x H)	81.5 x 100 x 61 mm
Weight	approx. 0.3 kg

GHG 791 02 up to 8 terminals

Cable entry/enclosure drilling	max. 6 x M25 for cable Ø 10 - 17 mm max. 6 x M32 for cable Ø 12 - 21 mm max. 6 x M20 metal thread
Connecting terminals	6 x + 2 PE
Dimensions (L x W x H)	117.5 x 113.5 x 73.5 mm
Weight	approx. 0.5 kg

¹⁾ for cage clamp terminals

Ex-junction box



GHG 791 0101 R0001



GHG 791 0101 R0019



GHG 791 0101 R0068



GHG 791 0201 R0006

Ordering details

Content	Cable gland	No. of terminals	Order No.
GHG 791 01 up to 6 terminals			
	2 x M25 for cable Ø 10-17 mm	4 x Ex-e, 1 x PE	GHG 791 0101 R0001
	4 x M25 for cable Ø 10-17 mm incl. 2 x blanking plug M25	4 x Ex-e, 1 x PE	GHG 791 0101 R0002
	4 x M20 metal thread incl. 2 x threaded plug M20	4 x Ex-e, 1 x PE	GHG 791 0101 R0019
	4 x M25 for cable Ø 10-17 mm incl. 2 x blanking plug M25	4 x 4 Ex-e ¹⁾ , 2 x PE	GHG 791 0101 R0069
	4 x M20 metal thread incl. 2 x threaded plug M20	4 x 4 Ex-e ¹⁾ , 2 x PE	GHG 791 0101 R0068
GHG 791 02 up to 8 terminals			
	4 x M25 for cable Ø 10-17 mm incl. 2 x blanking plug M25	6 x Ex-e, 2 x PE	GHG 791 0201 R0006
	4 x M32 for cable Ø 12-21 mm incl. 2 x blanking plug M32	6 x Ex-e, 2 x PE	GHG 791 0201 R0007
	6 x M25 for cable Ø 10-17 mm incl. 4 x blanking plug M25	6 x Ex-e, 2 x PE	GHG 791 0201 R0001
	6 x M32 for cable Ø 12-21 mm incl. 4 x blanking plug M32	6 x Ex-e, 2 x PE	GHG 791 0201 R0002
	6 x M20 metal thread incl. 4 x threaded plug M20	8 x Ex-e, 1 x PE	GHG 791 0201 R0003

Other applications available on request.

¹⁾ Cage clamp terminal

Accessories

Mounting plate for junction box 791 01

Type	Application	Fixing method	Order No.
Size 1	Wall mounting	snap on	GHG 610 1953 R0101
Size 1	for trellis mounting	snap on	GHG 610 1953 R0103
Size 1	pipe clamp	snap on	GHG 610 1953 R0102
Protective canopy size 2	for mounting plate size 1		GHG 610 1955 R0101

Mounting plate for junction box 791 02

Type	Application	Fixing method	Order No.
Size 2	Wall mounting	snap on	GHG 610 1953 R0104
Size 2	for trellis mounting	snap on	GHG 610 1953 R0106
Size 2	pipe clamp	snap on	GHG 610 1953 R0105
Protective canopy size 2	for mounting plate size 2		GHG 610 1955 R0102

Details for accessories see page 2.2.80 up to 2.2.84.



GHG 791 0201 R0006



GHG 791 0101 R0068



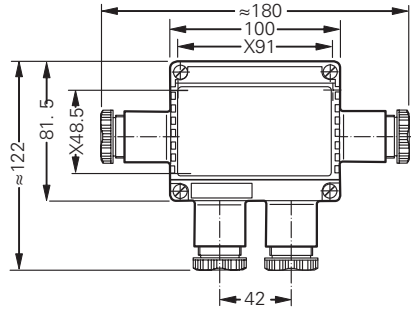
GHG 791 0101 R0019



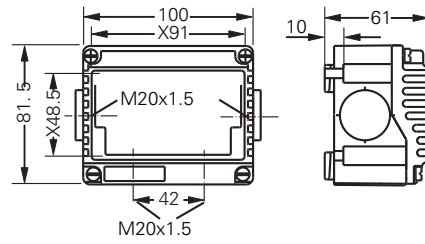
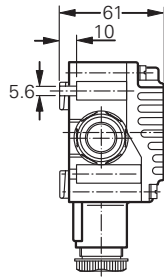
GHG 791 0101 R0001

2

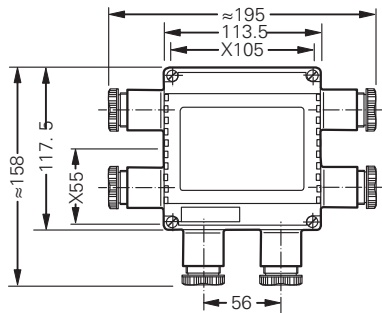
Dimension drawing



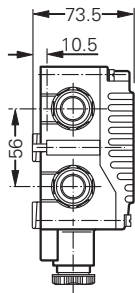
Type 791 01



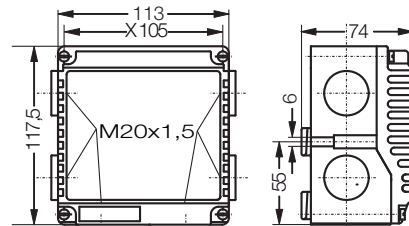
Type 791 01 for metal cable glands



Type 791 02



X = fixing dimensions



Type 791 02 for metal cable glands

E X - J U N C T I O N B O X E S

Light metal design for Zone 1, 2, 21 and 22

2 The sturdy CEAG junction boxes made of light metal are used to distribute and conduct electricity in Zone 1 and Zone 2 areas with no risk of explosion. Optionally, mantle terminals with a terminal range of 6 mm² are available for these branching boxes. Four M20 threaded holes allow variable equipment with various ducts for cables and lines.

Drilled holes, cable and line ducts, through which no lines are conducted, should be closed with certified threaded stoppers.

High chemical resistance of the housing is ensured by the use of impact-resistant plastic powder coating.

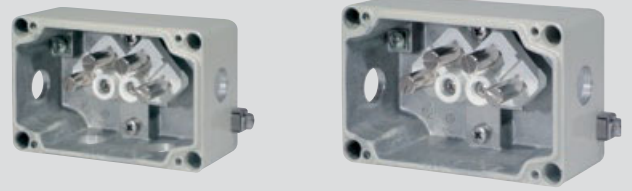
Covered screws and all outside and inside metallic parts are made of stainless steel (AISI 316L).

The light metal branching box has an outside earthing connection.

Internationally approved.



- Mechanical, chemical and thermal resistance
- Impact-resistant plastic powder coating



GHG 793 0101 R0002

GHG 793 0101 R0001

Technical data

Type 793 01 up to 5 terminals

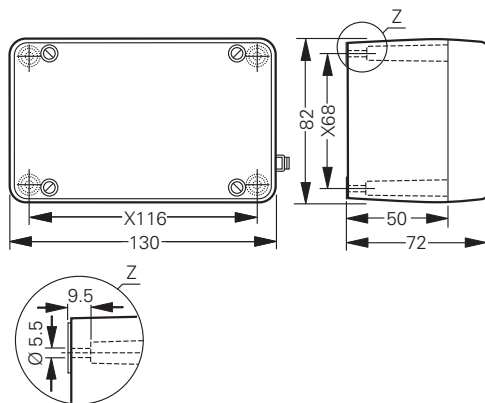
Marking accd. to 94/9/EC	⊕ II 2 G Ex dem ia II, IIC T6 / ⊕ II 2 D Ex tD A21 IP66 T80 °C
EC-Type Examination Certificate	PTB 00 ATEX 3108
Permissible ambient temperature	-20 °C to +40 °C -55 °C to +55 °C (option)
Rated voltage	690 V
Rated current	depends on terminal cross section
Terminal cross section	max. 3 x 4 mm ² or 1 x 10 mm ² with pin cable lug + 1 x 2.5 mm ² fine wire max. 3 x 6 mm ² or 4 x 4 mm ² solid-wire
Protection class	I
Degree of protection accd. to EN 60529	IP66
Cable entry/enclosure drilling	max. 4 x M20 drilling
Dimensions (L x W x H)	82 x 130 x 72 mm
Weight	approx. 0.8 kg
Enclosure material	light alloy die-casting (AlSi)
Enclosure colour	light grey

Ordering details

Content	Cable gland	No. of terminals	Order No.
GHG 793 01 up to 4 terminals			
	2 x M20 drilling	4 x Ex-e, 1 x PE	GHG 793 0101 R0001
	4 x M20 drilling incl. 2 x blanking plug M20	4 x Ex-e, 1 x PE	GHG 793 0101 R0002

Other applications available on request.

Dimension drawing



Type 793

X = fixing dimensions

Dimensions in mm