

**RAMSES 751 RA**

**Article number: 7510131**

**Description**

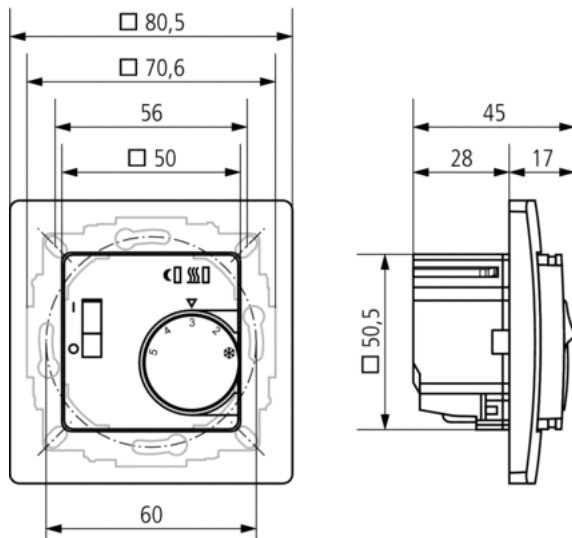


- Electronic room thermostat with remote temperature sensor for underfloor heating control
- Display of temperature reduction and heating ON
- 2-pole mains switch for heating ON/OFF
- Emergency mode for sensor malfunction at 30 % heating
- Central part fits nearly all frames using an adapter frame from the switch manufacturer

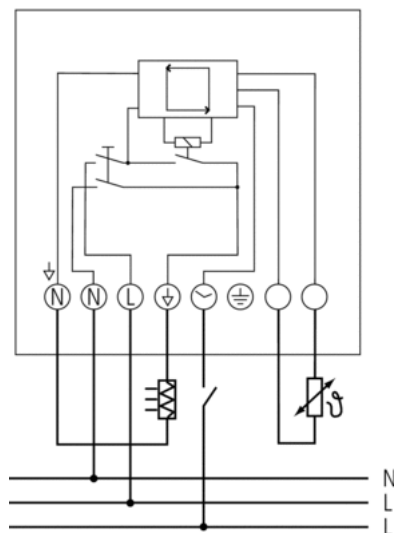
**Technical data**

Operating voltage	230 V AC
Frequency	50 Hz
Type of contact	NO contact
Switching output	Potential-free
Switching capacity	16 A (at 230 V AC, cos φ = 1), 4 A (at 230 V AC, cos φ = 0.6)
Setting range temperature	+10 °C ... +50 °C
Function	Electronic
Hysteresis	–
Control accuracy	± 0.5 K
Control behaviour	Proportional controller with PWM (continuous type)
Colour	Pure white (similar to RAL 9010)
Installation type	Flush-mounted
Max. cable length	Length 4 m, Ø 6 mm, extendable to 50 m
Ambient temperature	+0 °C ... +40 °C
Type of protection	IP 30
Protection class	II as per EN 60 730-1

### Scale drawings



### Connection example



### Accessories

#### Actuator ALPHA 4 230 V

- Article number: 9070438  
Details ► [www.theben.de](http://www.theben.de)

