

RAMSES 714 A

Article number: 7140016

Description

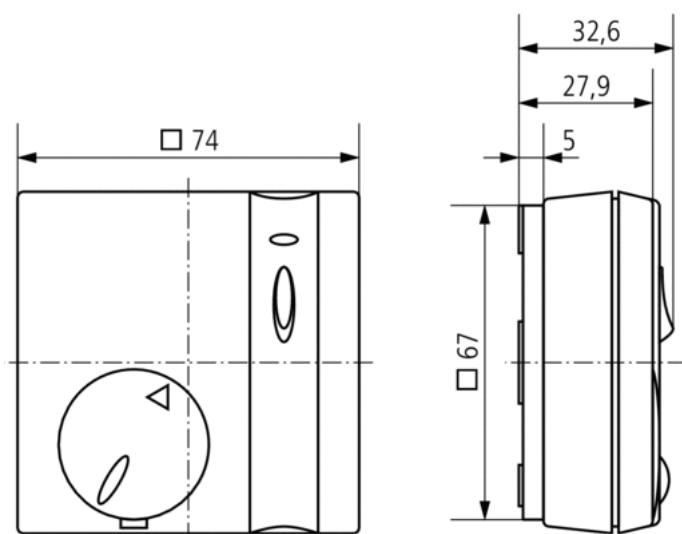


- Electronic room thermostats for all types of heating, e.g. gas, water, electric heating etc.
- External temperature sensor for underfloor heating (wet rooms or bathroom heating)
- Switchable for the connection of available NTC sensors (33 K Ω /25 °C)
- Switch for heating ON/OFF
- Individual room control possible in combination with Theben actuators
- Heating status display via LED
- External temperature reduction (approx. 3.5 K) is possible via control with time switch. Temperature reduction can be cut to 2 K by opening a wire bridge

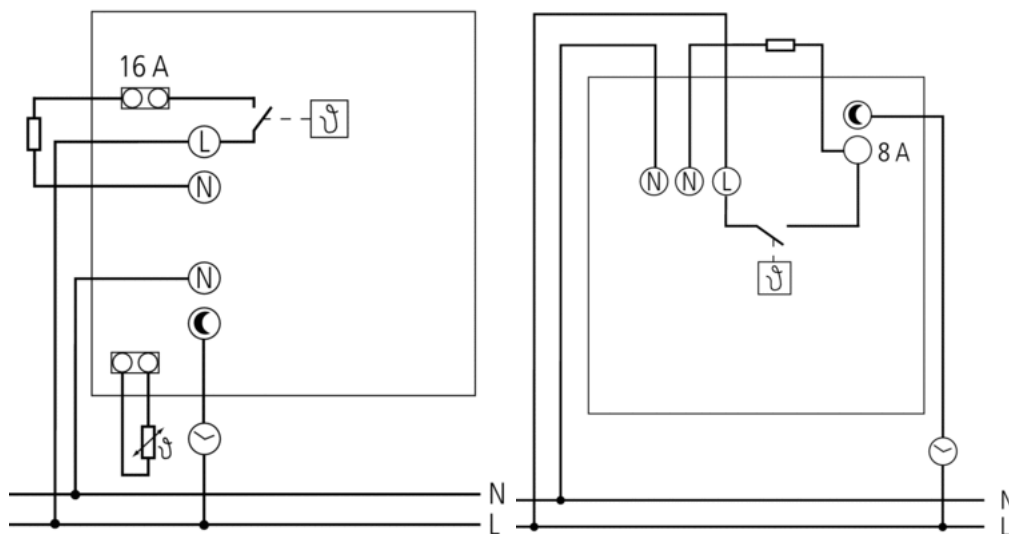
Technical data

Operating voltage	230 V AC
Frequency	50 Hz
Type of contact	NC contact
Switching output	Not potential-free
Switching capacity	16 A (at 230 V AC, cos ϕ = 1)
Setting range temperature	+10 °C ... +60 °C
Function	Electronic
Hysteresis	–
Control accuracy	\pm 0.5 K
Colour	Pure white (similar to RAL 9010)
Installation type	Surface-mounted
Max. cable length	Length 4 m, \varnothing 6 mm, (IP 54)
Type of protection	IP 20
Protection class	II as per EN 60 730-1

Scale drawings



Connection example



Accessories

Actuator ALPHA 4 230 V

- Article number: 9070438
[Details ▶ www.theben.de](http://www.theben.de)



Adapter plate RAMSES 714

- Article number: 9070212
[Details ▶ www.theben.de](http://www.theben.de)

