

# Q8M- Glass Touch Screen Thermostats

## Product Summary

**Q8M Glass** Touch Screen thermostats are heating thermostat with large glass LCD screen touch panel.

It is applied to temperature control floor-heating system, and also can be used in industrial, commercial and domestic room.

**Backlight choice: Blue, White, Green**

## Technical Parameter:

- ✓ Working Voltage: 85~260 VAC, 50/60 HZ
- ✓ Working Environment: Temperature: 0 ~ +45 °C
  
- ✓ Relative Humidity: RH<85%
- ✓ Storage Environment: Temperature: 0 ~ +70 °C
  
- ✓ Relative Humidity: RH<95%
- ✓ Temperature Control Range: 5 ~ 45 °C
- ✓ Setting temperature: 5 ~ 45 °C (internal sensor)

5~45 °C (external sensor)

- Temperature Control Precision: +/-1 °C
- Temperature Sensing Element: NTC Resistance
- Surface Material: PC Engineering Plastic
- Cable length:3m
- Installation: Wall-Inserted Type
- Dimension:85x90x55mm
- CE certified (EMC and LVD): EN60730-1,EN60730-2



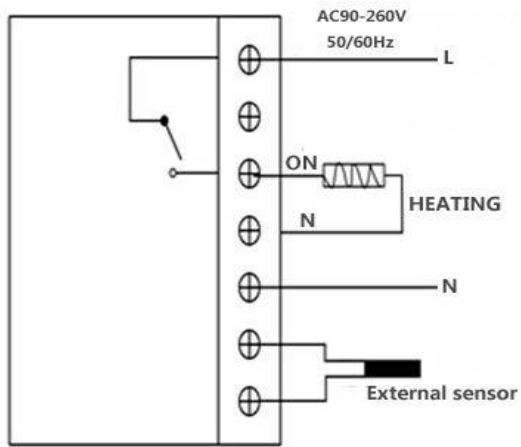


**Features:**

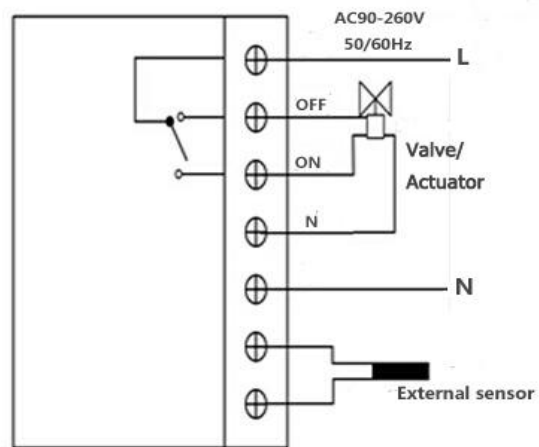
- Grand appearance with touch screen operation, relay output
- With foreign wide voltage technology, make power more stable
- Shutoff zero loss, completely cut off power
- With high reliability MCU, strong anti-jamming.
- Controlling electrical heating device, normally open or closed valve.
- Setting different working modes by buttons
- Child Lock function
- Anti-freeze function
- Personalized Service:
  - ✓ Timer switch, four times, etc;
  - ✓ Single temperature control with optional internal sensor;
  - ✓ Single temperature control with optional external sensor;
  - ✓ Optional dual-temperature control function;
  - ✓ Optional Blue back light;
  - ✓ With clock, remote control, back light.



**Wiring connection:**



**Q8M-PE**



**Q8M-PW**